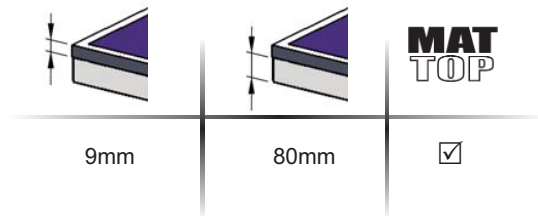


PARK

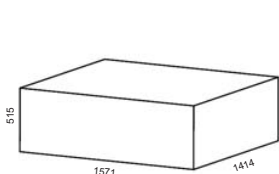
OUTDOOR



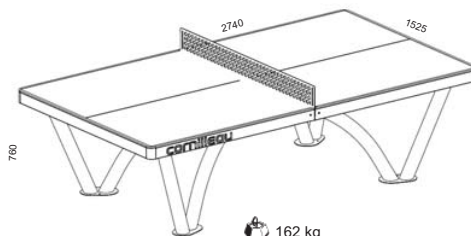
Réf 127137 Outdoor Grise / Grey



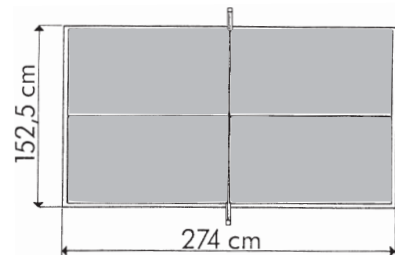
Norme EN 14468-1 / 15312 (classe A)



 282 kg



 162 kg



F

NOTICE DE MONTAGE

DOCUMENT À CONSERVER

GB

ASSEMBLY INSTRUCTIONS

PLEASE KEEP FOR FUTURE REFERENCE

D

MONTAGEANLEITUNG

DAS DOCUMENT IST AUFZUBEWAHREN

NL

MONTAGE AANWIJZINGEN

GOED BEWAAREN

I

ISTRUZIONI DI MONTAGGIO

DOCUMENTO DA CONSERVARE

SP

INSTRUCCIONES DE MONTAJE

DOCUMENTO A CONSERVAR

P

FOLHETO DE MONTAGEM

DOCUMENTO A CONSERVAR

GR

ΟΔΗΓΙΕΣ ΣΥΝΑΡΜΟΛΟΓΗΣΗΣ

ΕΓΓΡΑΦΟ ΝΑ ΦΥΛΑΧΘΕΙ

H

ÖSSZESZERELÉSI UTASÍTÁS

MEGŐRZENDŐ DOKUMENTUM

PL

DOKUMENTACJA MONTAŻU

ZACHOWAJ TEN DOKUMENT

RO

INSTRUCȚIUNI DE MONTARE

DOCUMENT CE TREBUIE PĂSTRAT

CZ

MONTÁŽNÍ NÁVOD

TENTO DOKUMENT PEČLIVĚ USCHOVEJTE

RU

ИНСТРУКЦИЯ ПО СБОРКЕ

ДОКУМЕНТ СЛЕДУЕТ СОХРАНИТЬ

GENERAL

ENGLISH

Thank you for choosing a Cornilleau Table Tennis Table, and we would like to give you some advice for the best use of your table. Prior to assembly or use, please read these instructions carefully.

STANDARD : This table conforms to the following standards: EN NORM 14468-1 and 15312.

GAME : Manuals on how to play table tennis as a sport are available on www.cornilleau.com (Heading : F.A.Q.)

SAFETY ATTENTION :



Any person handling or using this table must follow the instructions opposite and read this notice. The person in charge of assembling and using this table must ensure that the recommendations for use given in this notice are seen by all users. In communal use, it is strongly recommended that the instructions and diagrams are displayed.



- Only use this table after it has been fully assembled, and after checking that the safety systems are working properly.
- Users must report any defects and faults in the safety systems
- Replace Immediately faulty parts and not use the table until it has been fully repaired.
- Assembly, positioning and storage must be carried out by an adult or under the direct supervision and responsibility of an adult.

- Do not leave children unattended around the table. By their very nature, children love playing and if they use the table tennis table for other purposes, they may put themselves in danger or unforeseeable situations. The manufacturer will not be liable for any injury caused through misuse of the table.

ASSEMBLY

The table must be assembled by at least 2 adults following the numerical order of the assembly instructions. Before assembling, please check that all the correct parts are contained in the package. The quantities indicated make it possible to go through the operations necessary for each assembly stage. Use the tools recommended on page 9

PRECAUTIONS



INDOOR OR OUTDOOR

Only OUTDOOR tables will withstand outside climatic conditions (rain, humidity, frost, sun, etc.). Even with a cover, INDOOR tables can be damaged if used or stored outside.



Do not sit or stand on the table, because of the risk of collapse.

AFTER-SALES

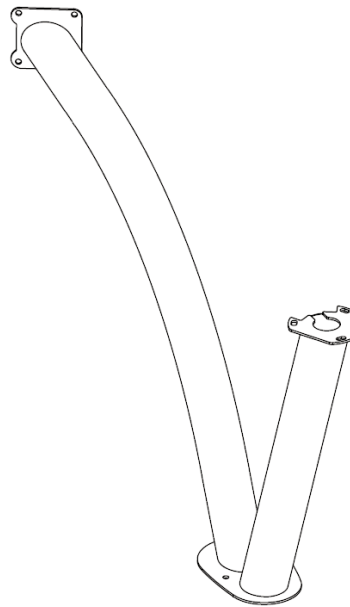
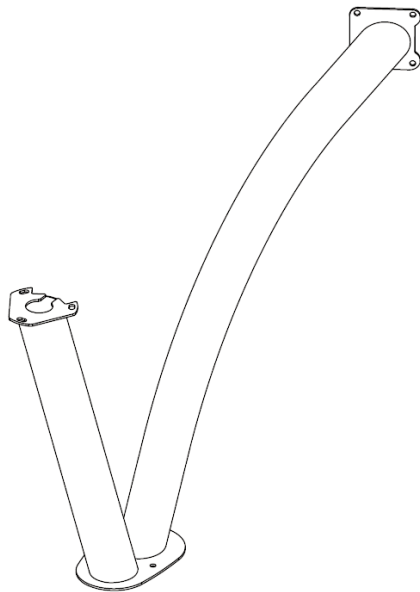
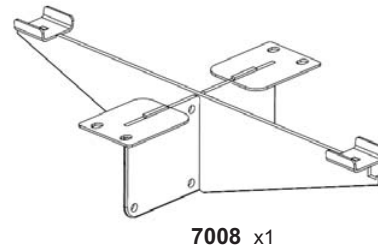
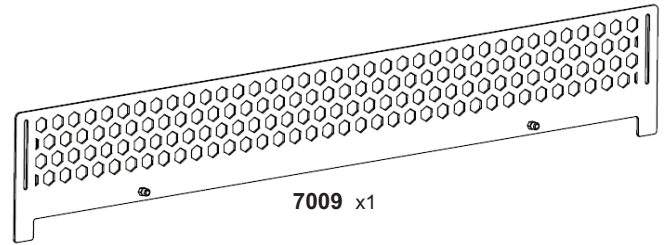
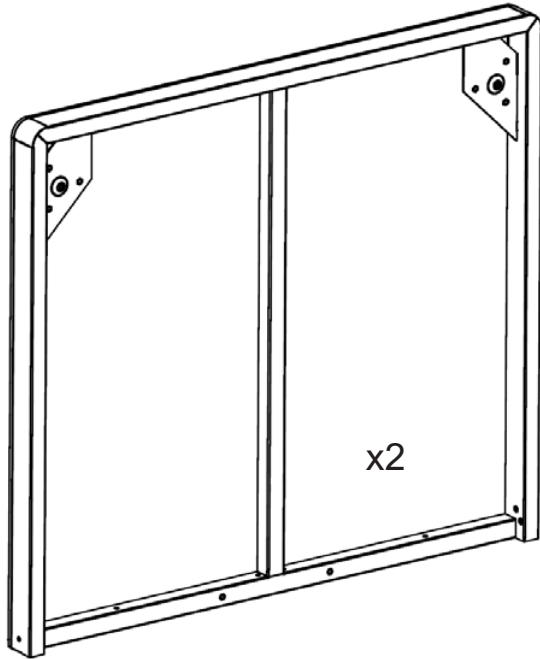
Keep these instructions and refer to them during maintenance operations and when ordering spare parts from the parts list on the last page. To facilitate processing of orders for spare parts, indicate the type of table and the series number to be found on the underside of the tabletop in the top left hand corner. For maintenance on the gamesurface, do not use aggressive products (abrasives, solvents or acids); we recommend our regenerative cleaner.

WARRANTY

All tables manufactured by us come with a 10-YEAR warranty as from the date of purchase. The warranty is limited to defective parts acknowledged as faulty by ourselves, and does not apply to damage caused by : Assembly not conforming to these instructions, not complying with the instructions for use and safety, normal wear of parts, lack of maintenance, use of aggressive products for maintenance, more generally, a cause detrimental to the quality of the table (impact, falls, etc.).

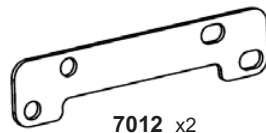
The following are not covered under the warranty: Costs of carriage of faulty parts, visit by a technician, labour, indemnities in cash or in kind for immobilisation of the table during the warranty period. Any claim must indicate the type of table, the series number that is to be found on the underside of the tabletop and the part(s) in question, and it must be accompanied by a proof of purchase showing the date of purchase.







Non-compliance with the above instructions for use may result in damage to the table or injury and excludes any liability of the manufacturer. Cornilleau SA make constant improvements to the product, the manufacturer reserves the right to make technical and dimensional modifications without these instructions being binding on us.

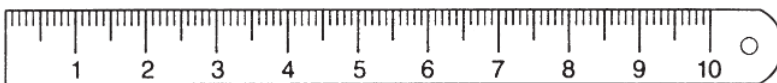


7983 x2

7982 x2



2779	
1301X32	
	Ø10x25 1301 x32
1300X6	
	Ø10x75 1300 x6
1145X8	
	Ø10 1145 x8
1560X4	
	M10 1560 x4
4112X4	
	4112 x4
4111X4	
	4111 x4



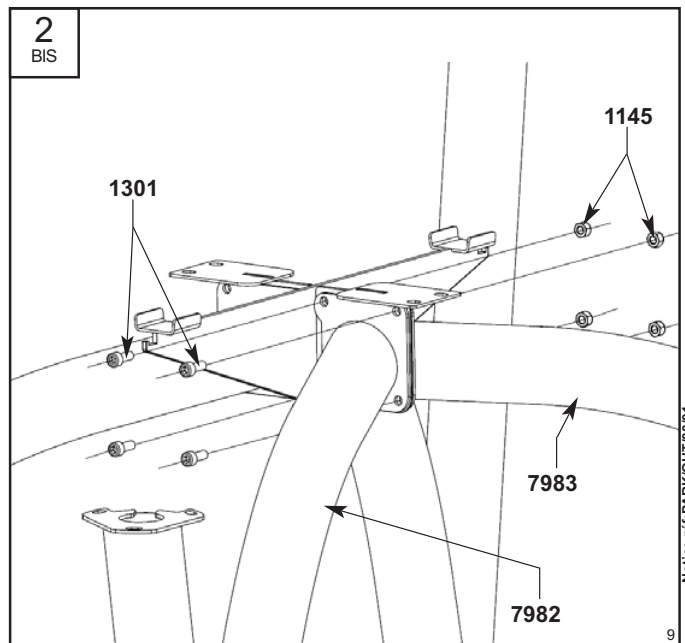
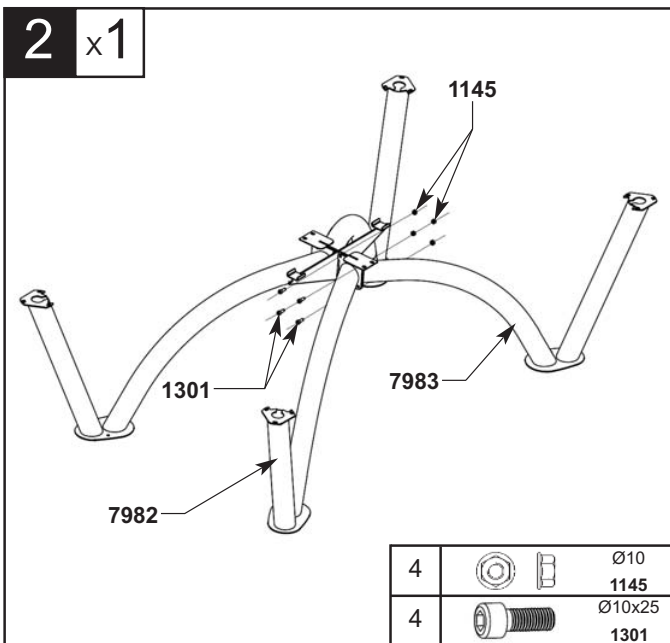
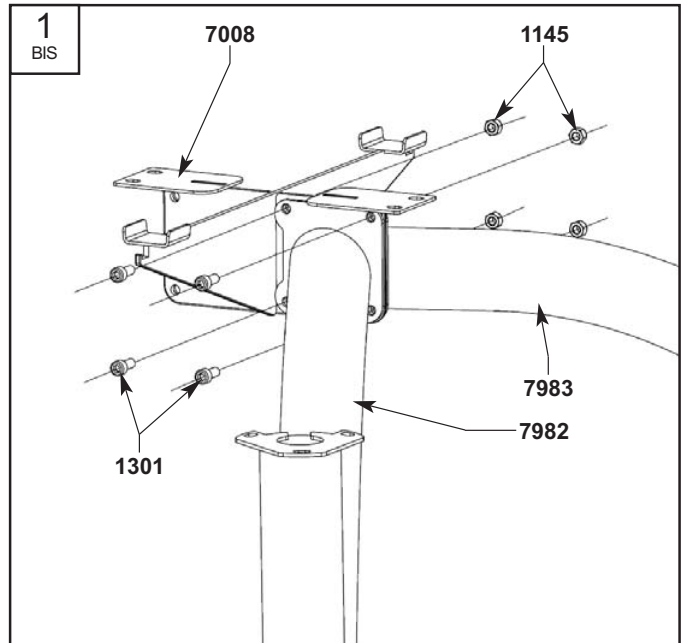
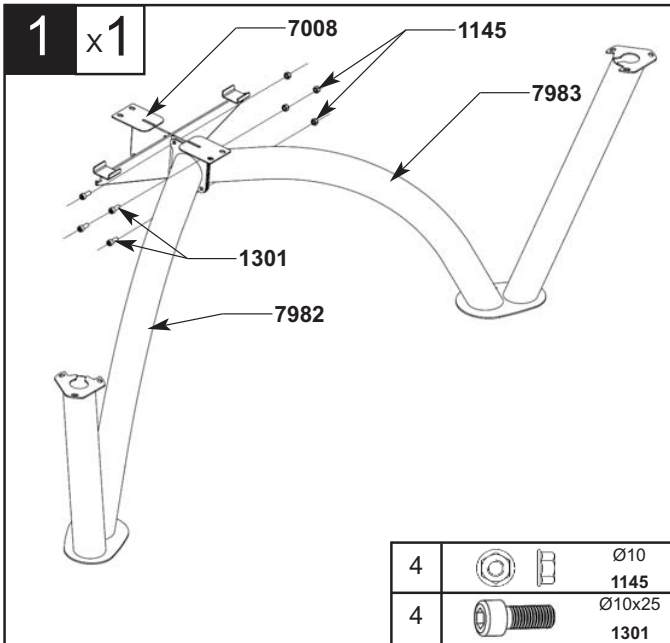


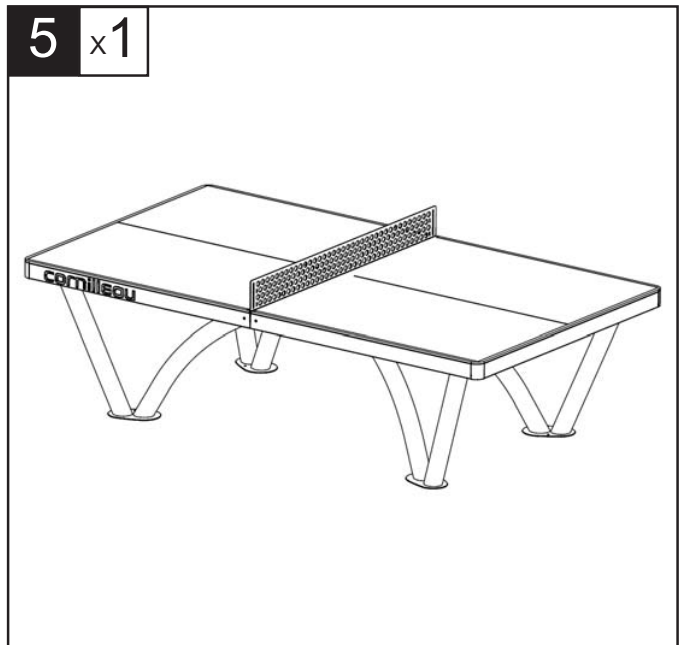
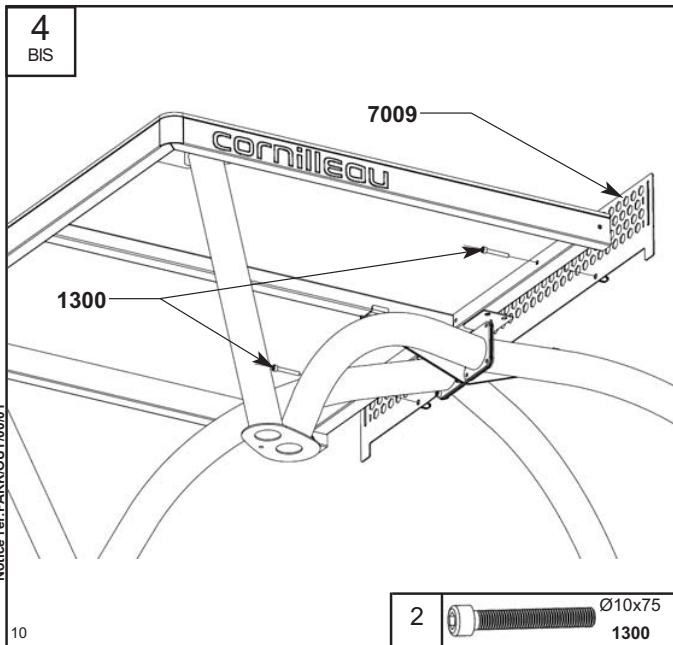
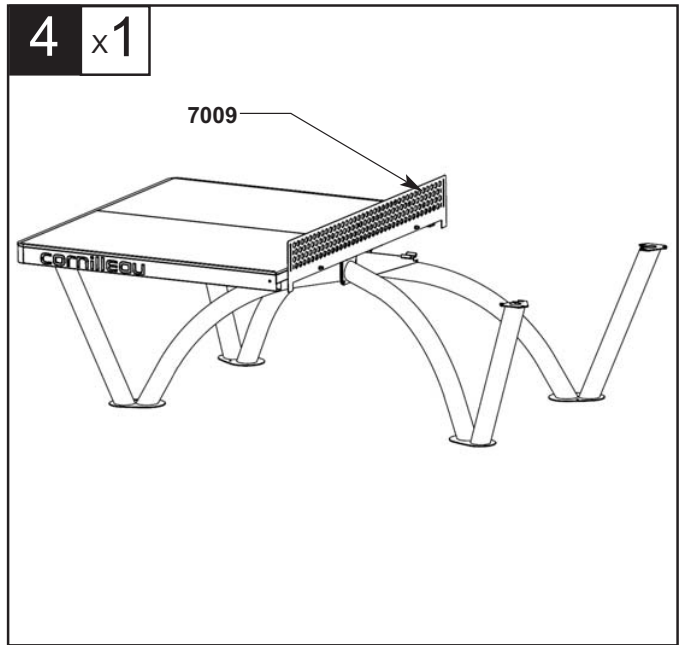
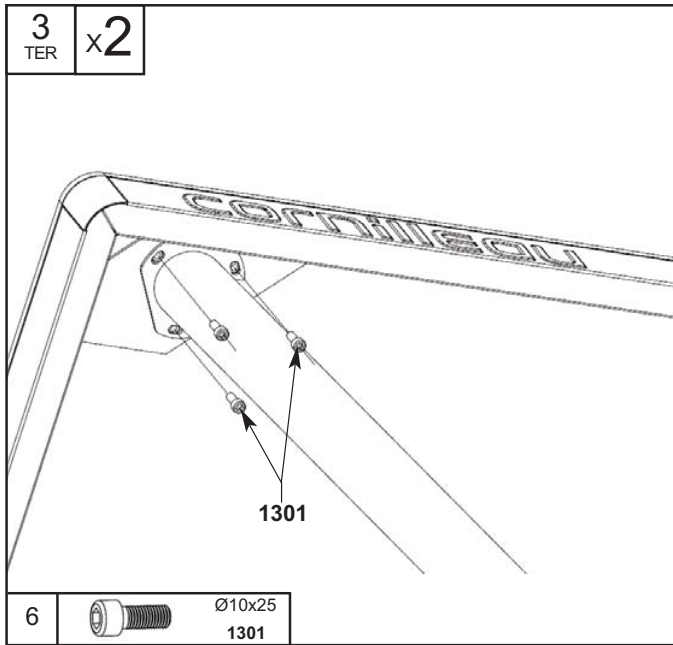
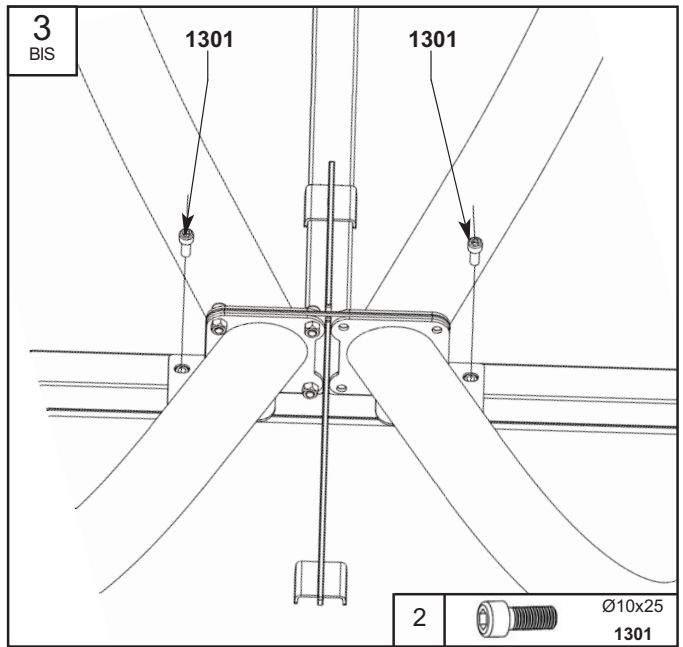
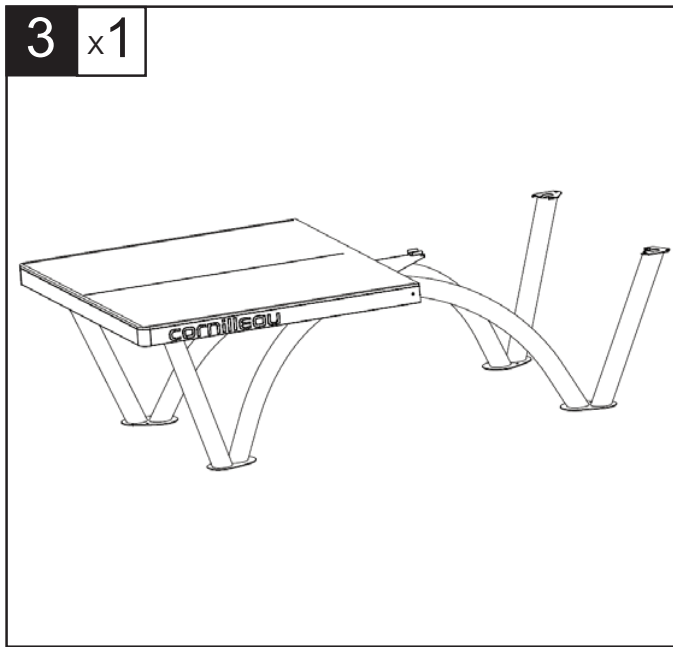
Montage de toutes les phases à 2 personnes. - Assembly during all stages with 2 people. - Für die Montage sind 2 Personen von Vorteil. - Montage van alle fasen met 2 personen. - Il montaggio richiede 2 persone in tutte le fasi. - Montaje de todas las fases a 2 personas. - Montagem de todas as fases com 2 pessoas - Συναρμολόγηση όλων των φάσεων με 2 άτομα - Minden összeszerelési szakaszt 2 személynek kell elvégezni - Montaż wszystkich etapów przez 2 osoby - Toate etapele de montare trebuie realizate de către 2 persoane - Všechny montážní kroky musejí provádět 2 osoby. - Сборка на всех стадиях должна производиться 2 лицами.

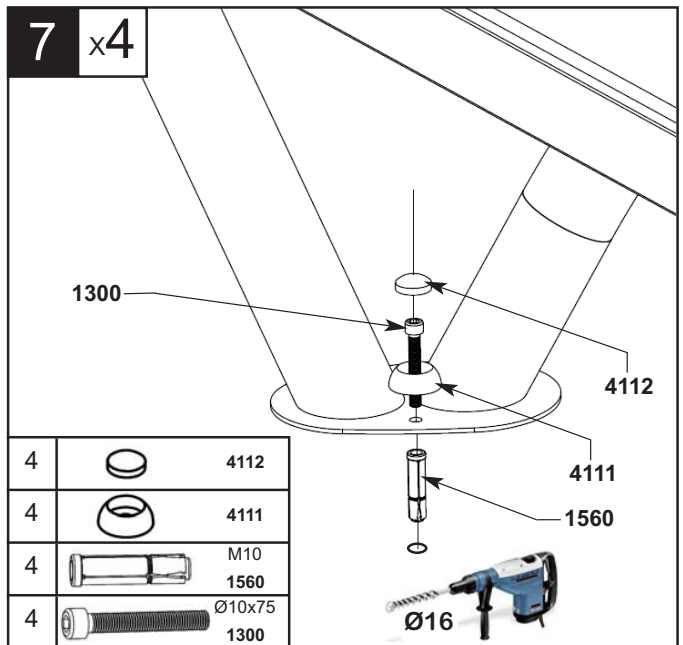
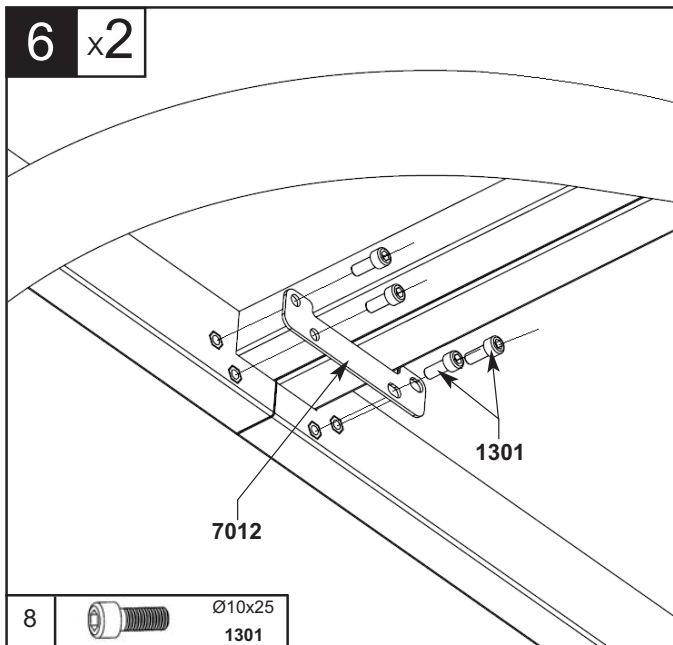
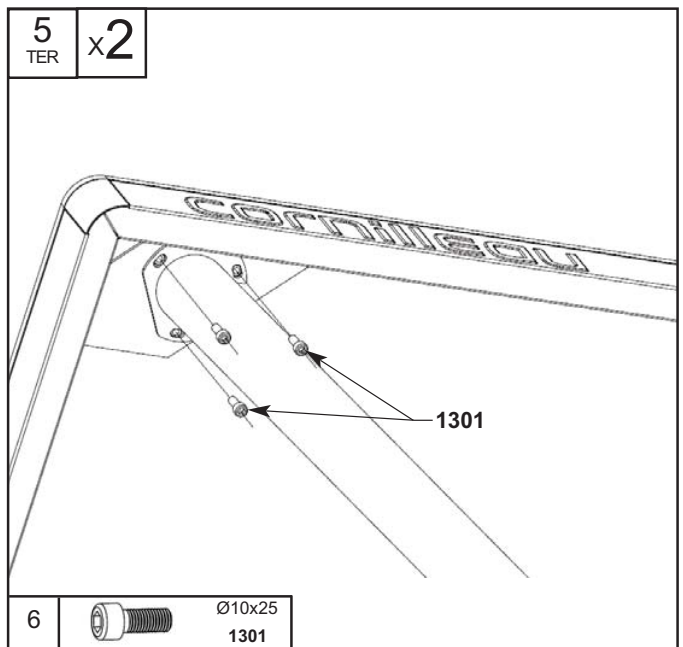
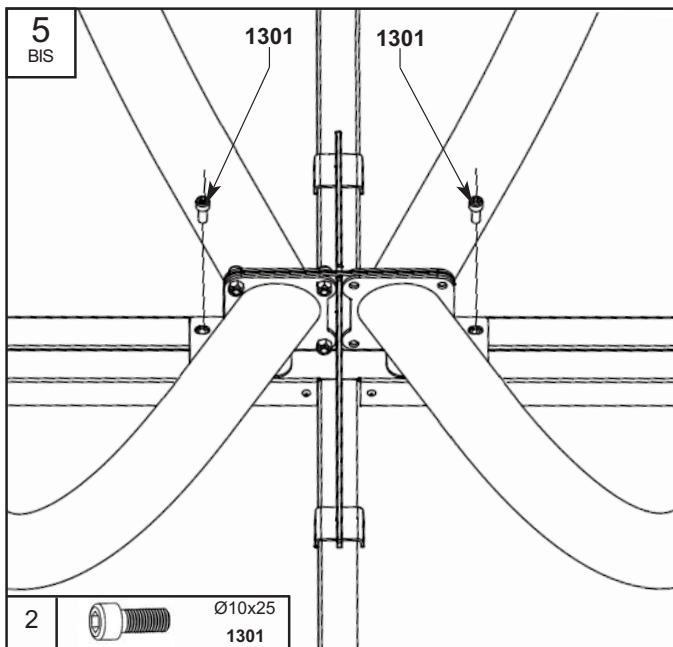


x2

Repetir l'opération (x) fois - Repeat operation (x) times - Wiederholen Sie diesen Vorgang (x) mal - deze handeling (x) maal herhalen - Operazione da ripetere (x) volte - Repetir la operacion (x) veces - Repetir a operação (x) vezes - Επαναλαμβάνετε τη πράξη (x) φορές - Ismétélje meg a műveletet (x) alkalommal - Powtórz czynność (x) razy - Repetați operațiunea de (x) ori - Operaci (x) krát opakujte. - Повторить операцию (x) раз

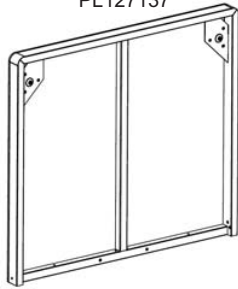




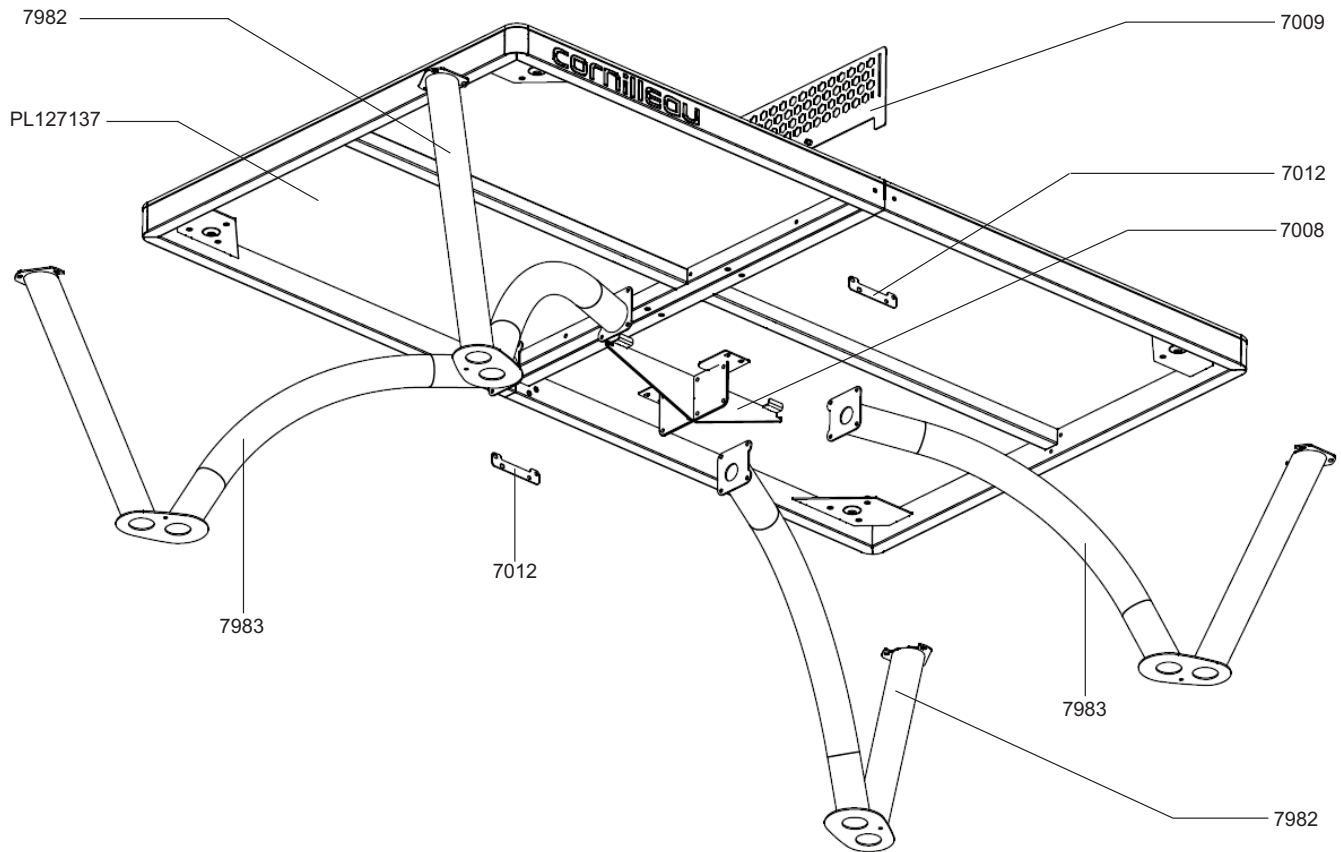


Nomenclature des pièces détachées - Spare parts list

PARC OUTDOOR GRISE
PL127137

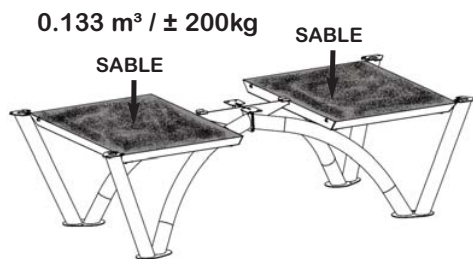


	M10 1560		Ø10 1145
	4112		Ø10x25 1301
	4111		Ø10x75 1300



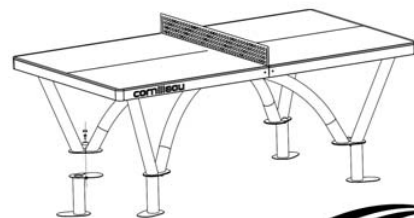
Options

Kit de lestage table park Réf 127138



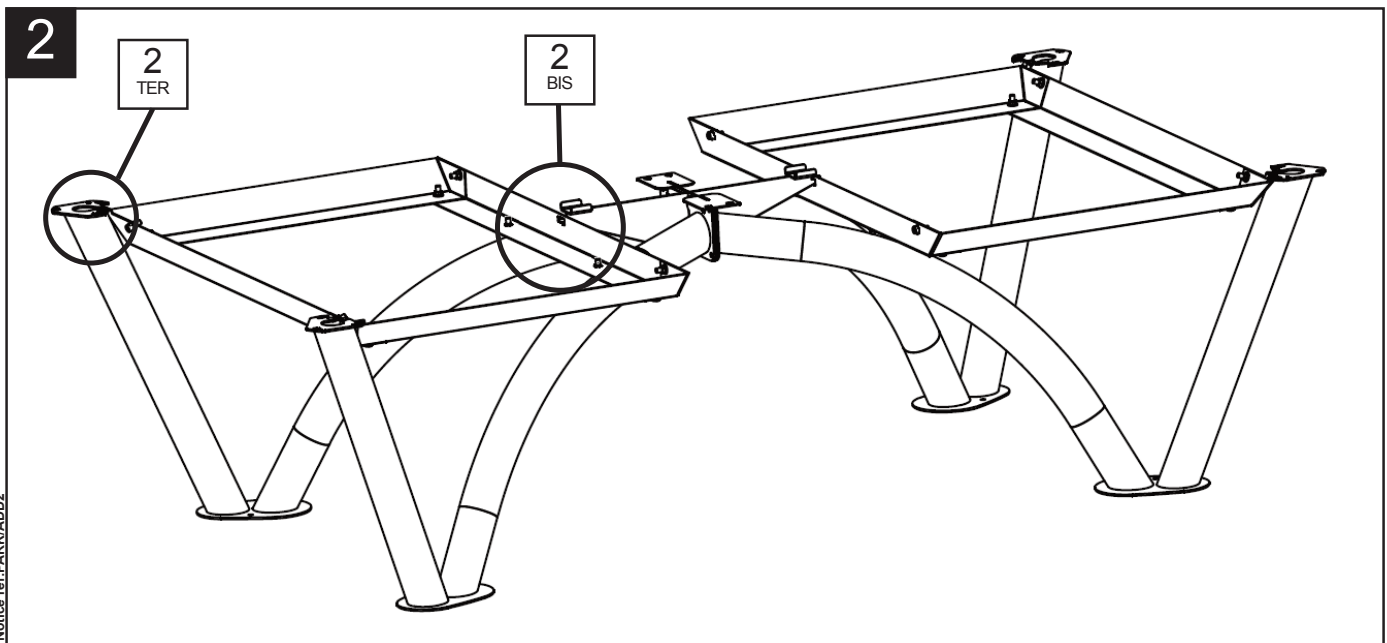
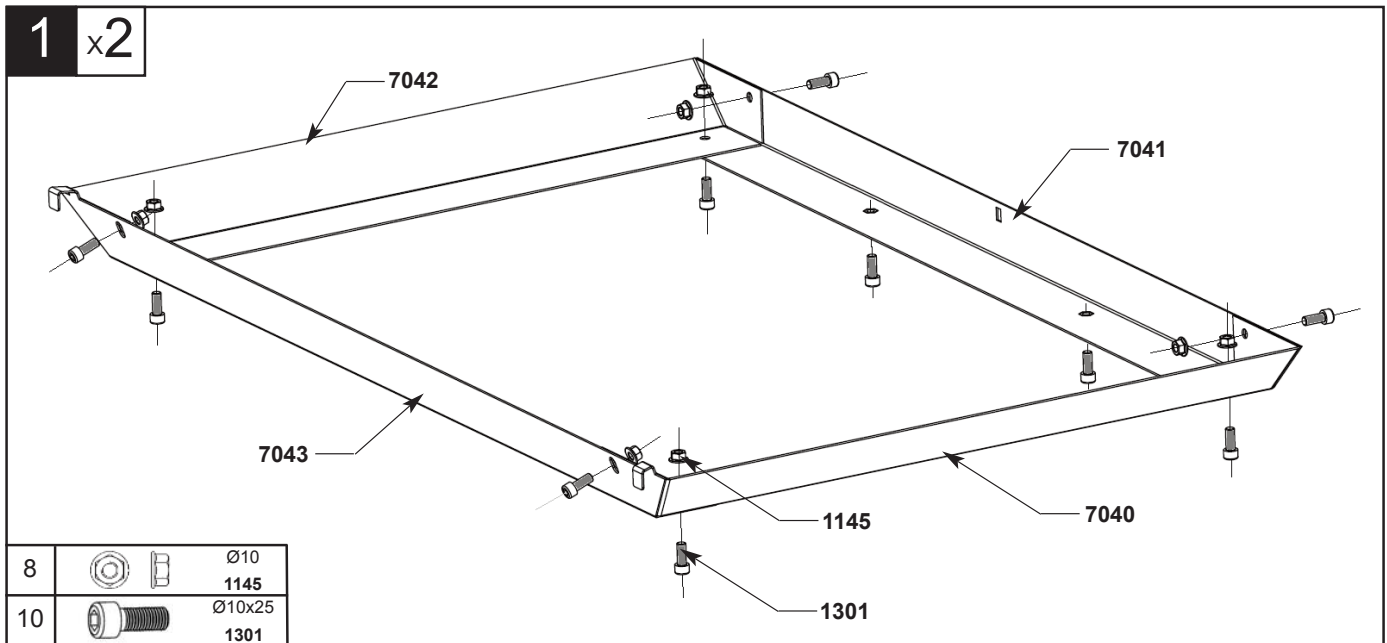
Pour toutes vos pièces détachées
For all your spare parts

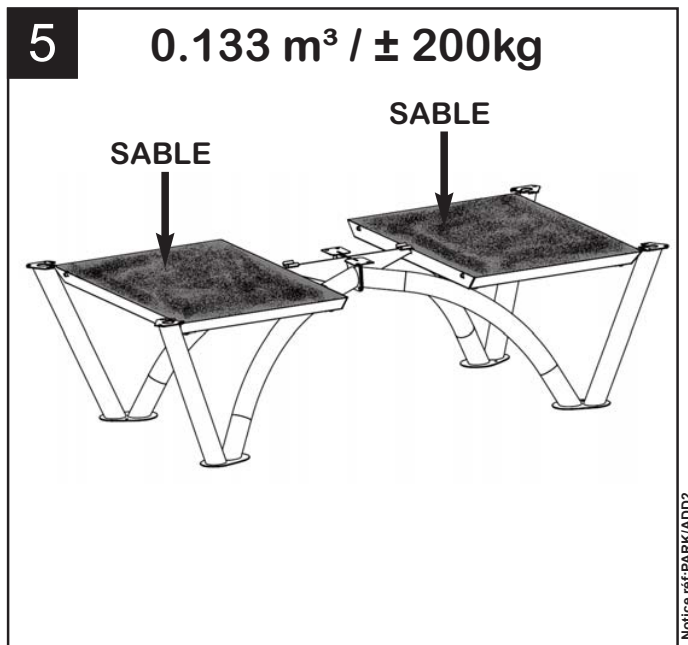
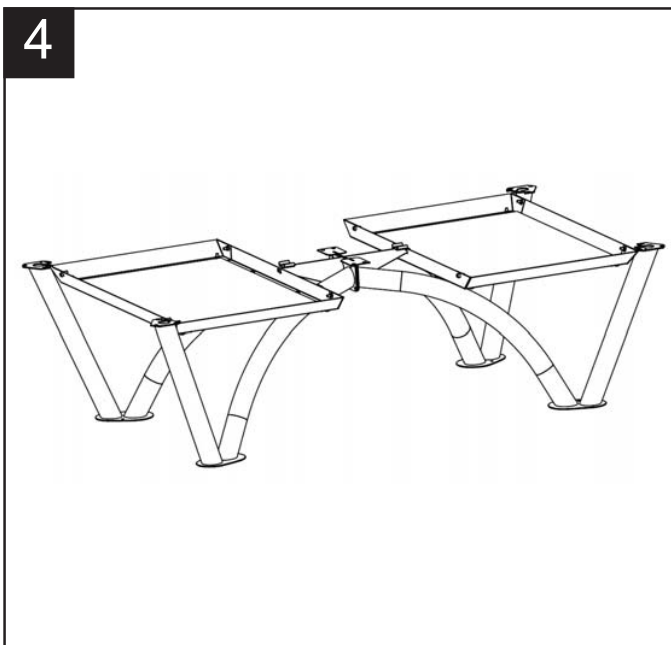
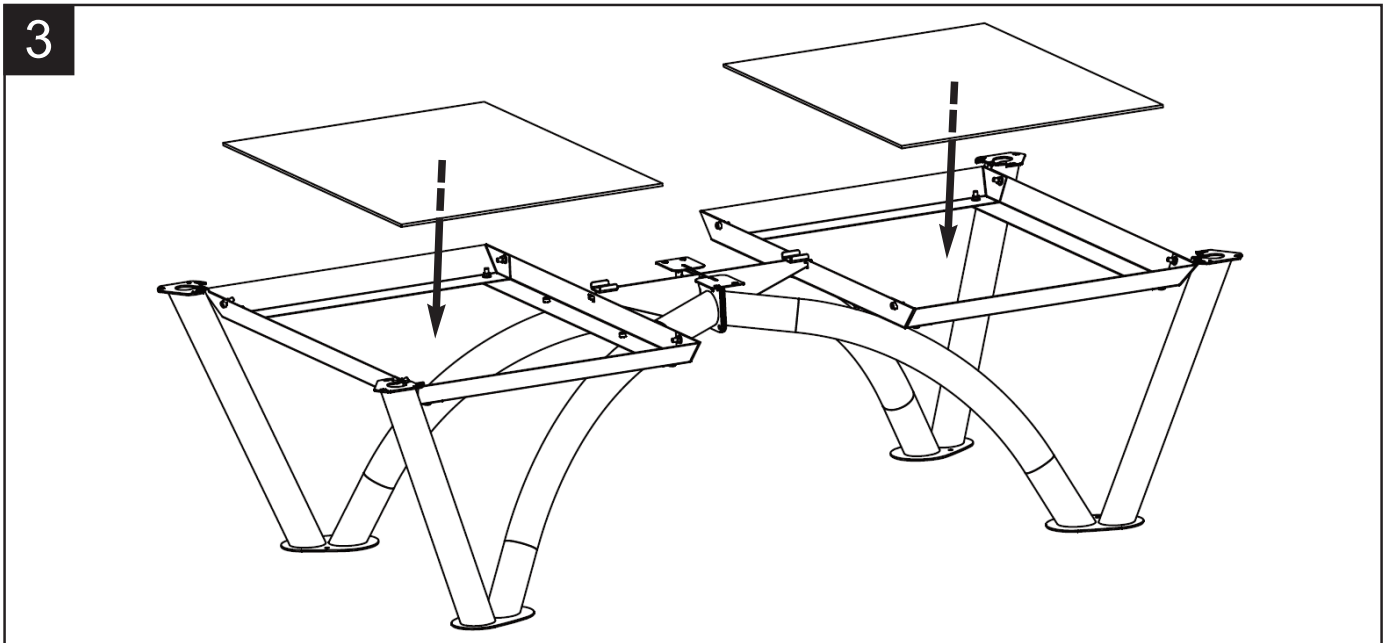
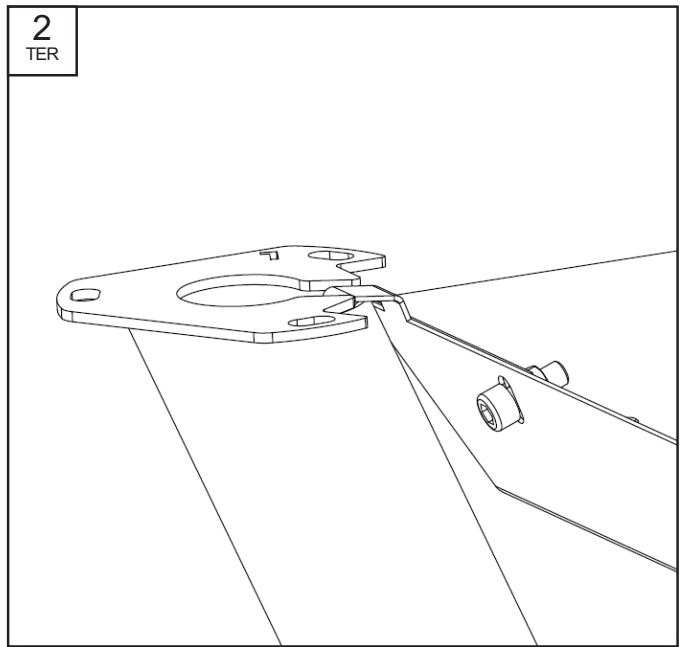
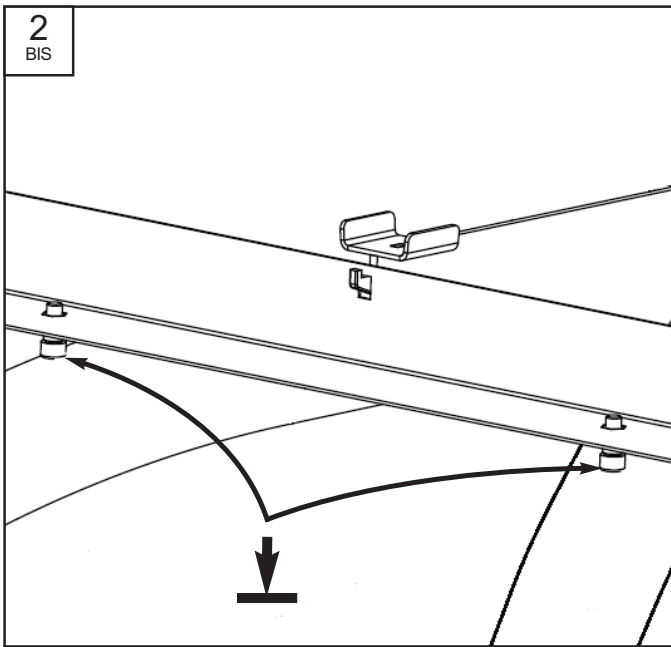
Kit pied d'ancrage table park Réf 127141



OPTIONAL: SAND TRAYS

RÉF 127138





OPTIONAL: ANCHORAGE KIT

RÉF 127141



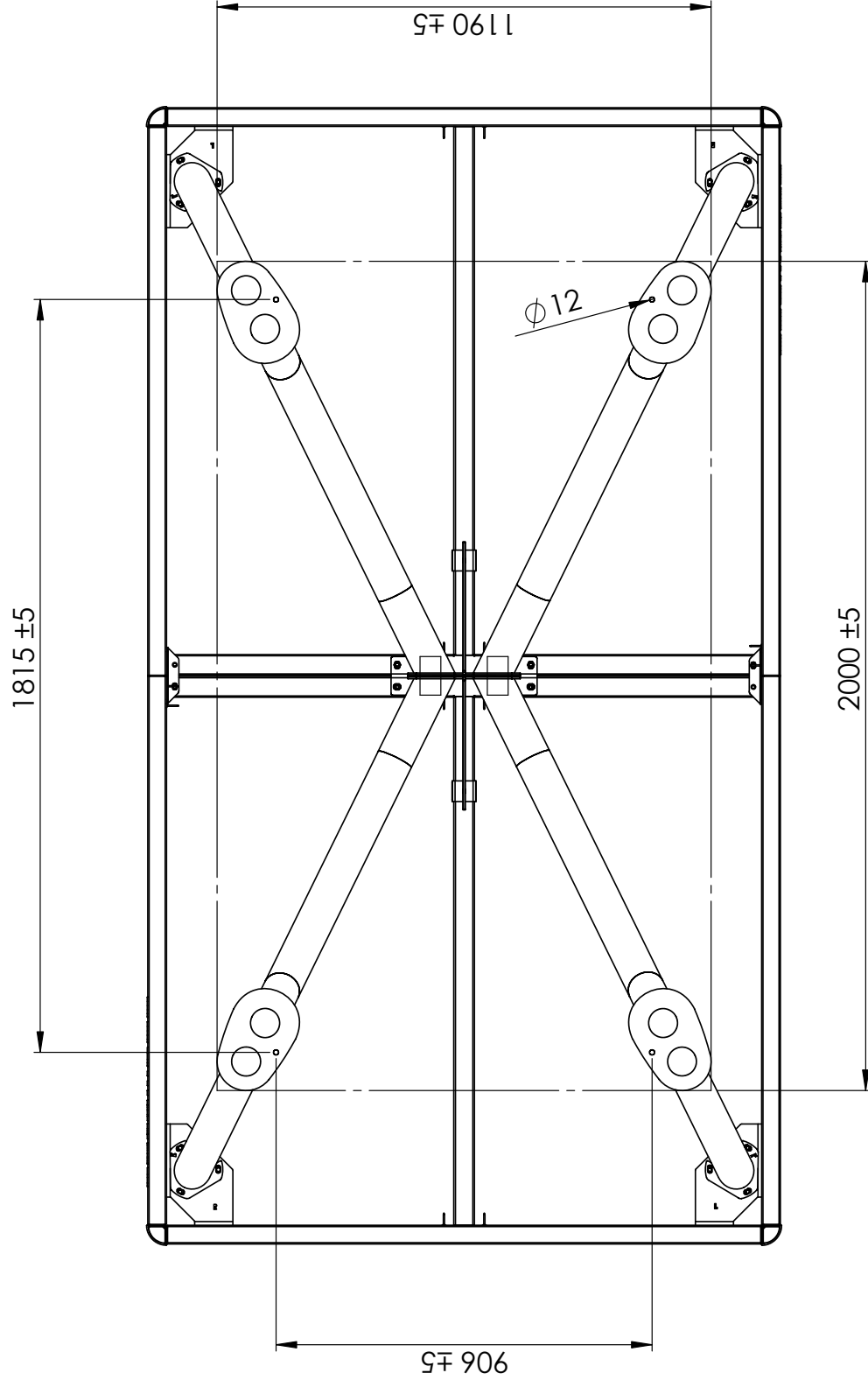
1 x4

4		4112
4		4111
4		Ø10x25 1301

2

3

4



CORNILLEAU PARK OUTDOOR - FEET POSITION MEASUREMENTS

PLEASE NOTE: If you are using the ground anchors - please refer to the diagram on the previous page for these measurements.